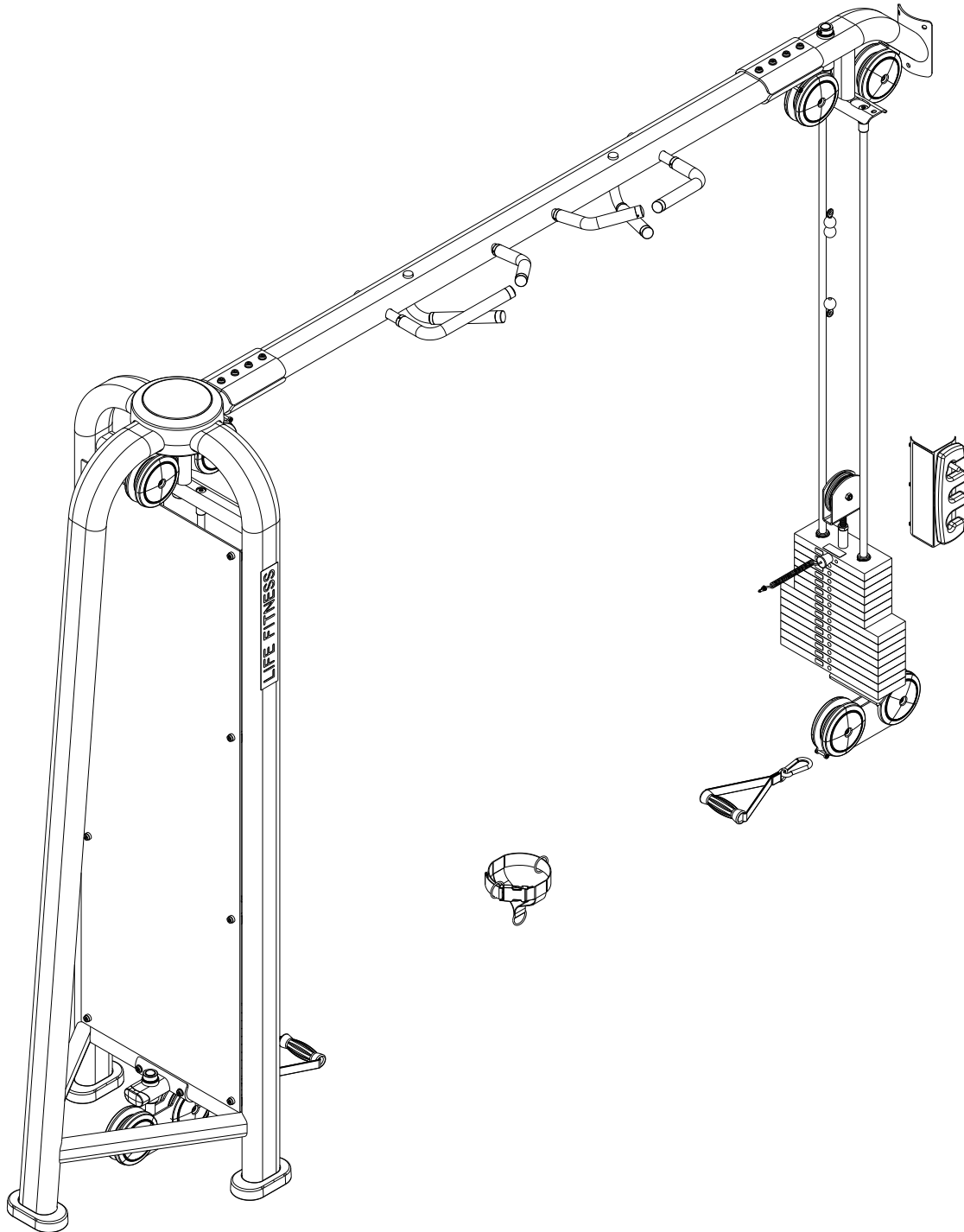




CABLE MOTION SERIES
MJFCO
MULTI JUNGLE FIXED CROSSOVER



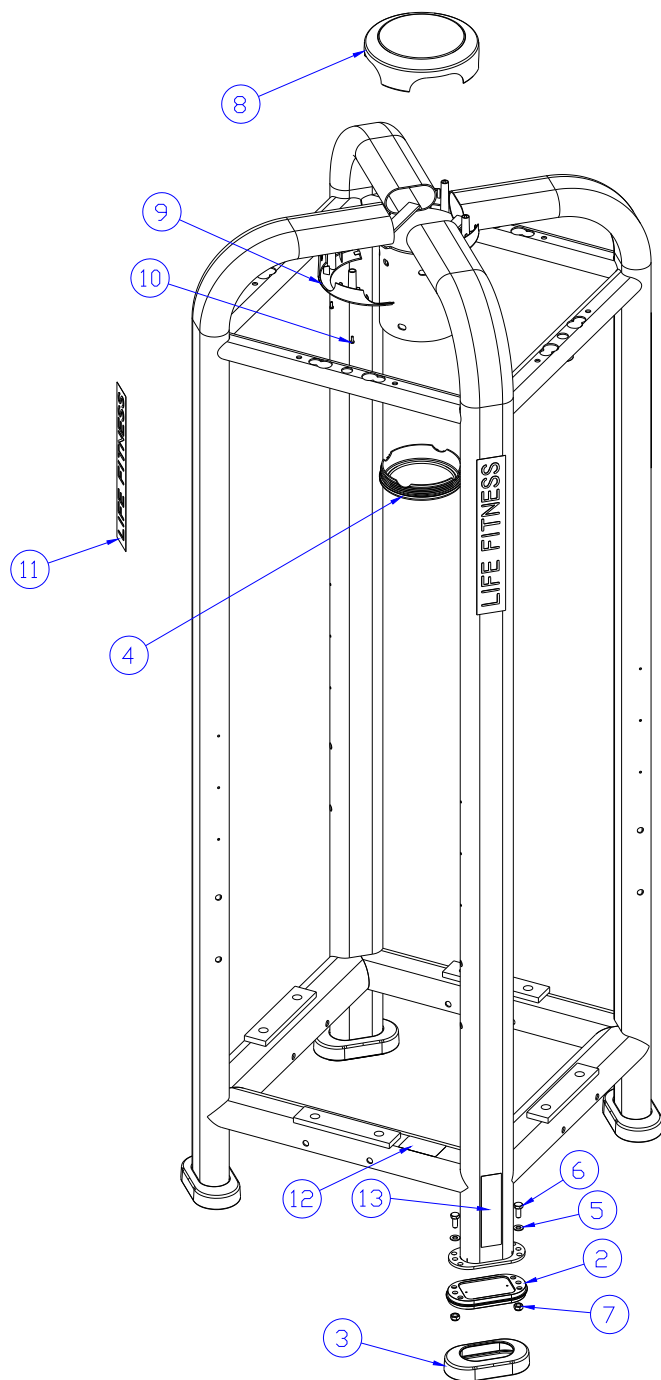
Customer Support Services
PARTS LIST

MJFCO FIXED CROSSOVER

Contents

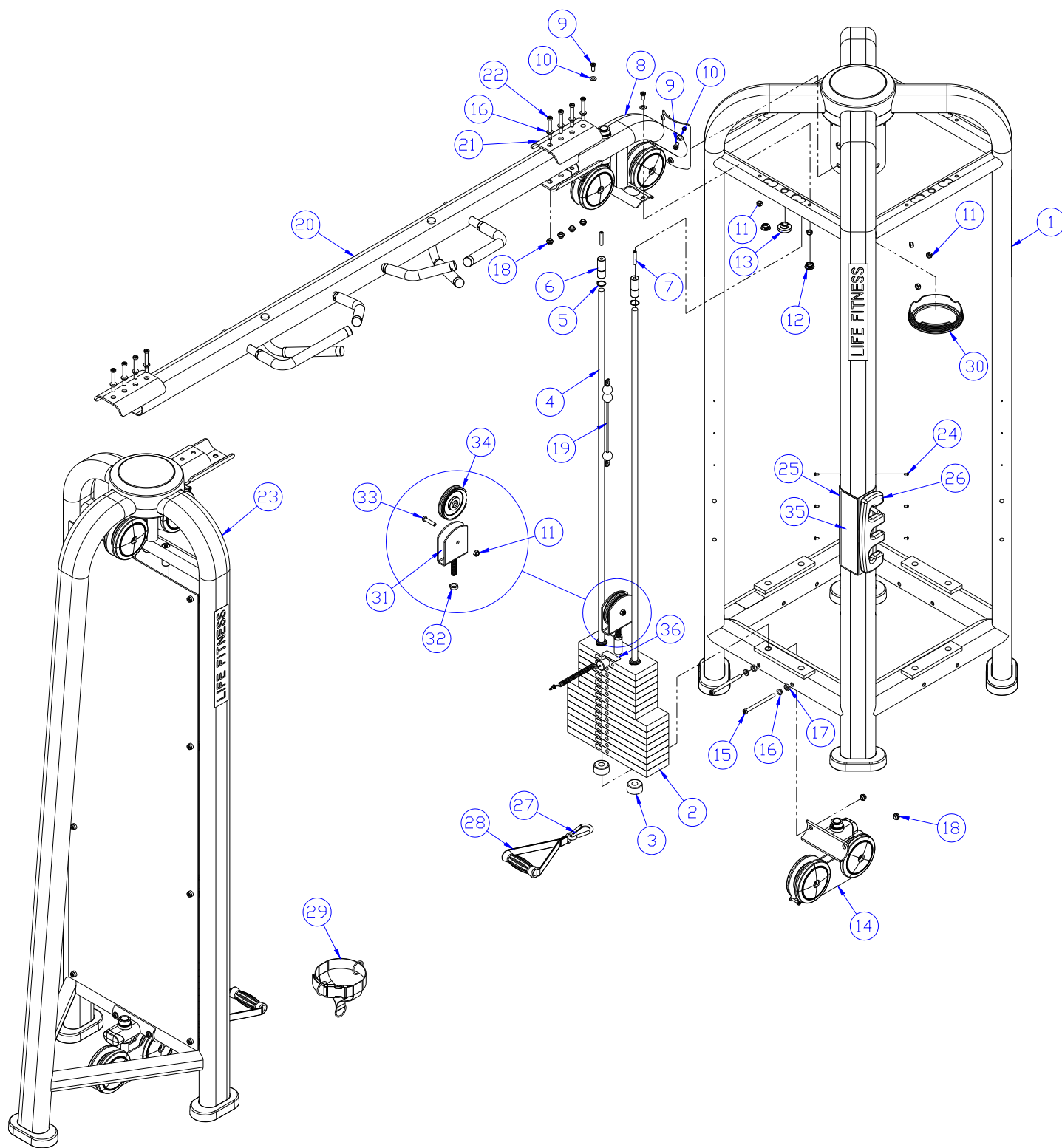
	PAGE
MJ CORE ASSEMBLY	3
COMPONANT ASSEMBLY	4
COMPONANT ASSEMBLY LEGEND	5
MJ X-BEAM ASSEMBLY	6
CM/MJACO TOWER ASSEMBLY	7
CM/MJACO TOWER ASSEMBLY LEGEND	8
MJFXO BOOM ASSEMBLY	9
MJ X-OVER BOTTOM ASSEMBLY	10
190LB. WEIGHT STACK ASSEMBLY	11
MJFCO CABLE ROUTING GUIDE	12

MJFCO FIXED CROSSOVER MJCORE ASSEMBLY



ITEM NO	QTY	PART NO	DESCRIPTION	ITEM NO	QTY	PART NO	DESCRIPTION
1	1	7628601	WLDMT, MJCORE	11	4	7348001	LABEL, LIFE FITNESS LOGO
2	4	7334001	FOOT, 2.50 X 4.49 FLOW	12	1	7571301	LABEL, SERIAL NUMBER
3	4	7340201	COVER, FOOT - STRAIGHT	13	1	7422004	LABEL, 2" ASTM WARN
4	1	7640401	COVER, BOTTOM CAP	14	8	3237403	PLUG, 1" HOLE
5	28	3236601	WASHER, 3/8 SAE SS	15	4	7642301	BUMPER, CM/MJ, PLUG
6	8	3251202	SCREW, M10 X1.5 X 25MM UNS HEX CS ST ZN	16	20	3236201	SCREW, M10 X1.5 20MM
7	28	3236801	NUT, M10 HEX NYLOCK SS	17	16	3236220	SCREW, M10 X1.5 130MM
8	1	7629201	COVER, CENTER TOP	18	16	7630101	RETAINER, CM/MJ, PULLEY
9	2	7629801	COVER, CENTER BOTTOM	19	16	7335401	NUT, M10 X 1.5 SOCKET HEAD
10	4	3236501	M4 X 0.7 PHL PAN MS ST ZN	20	16	7634701	SPACER, CM/MJ, .565 X .815

MJFCO FIXED CROSSOVER COMPONENT ASSEMBLY

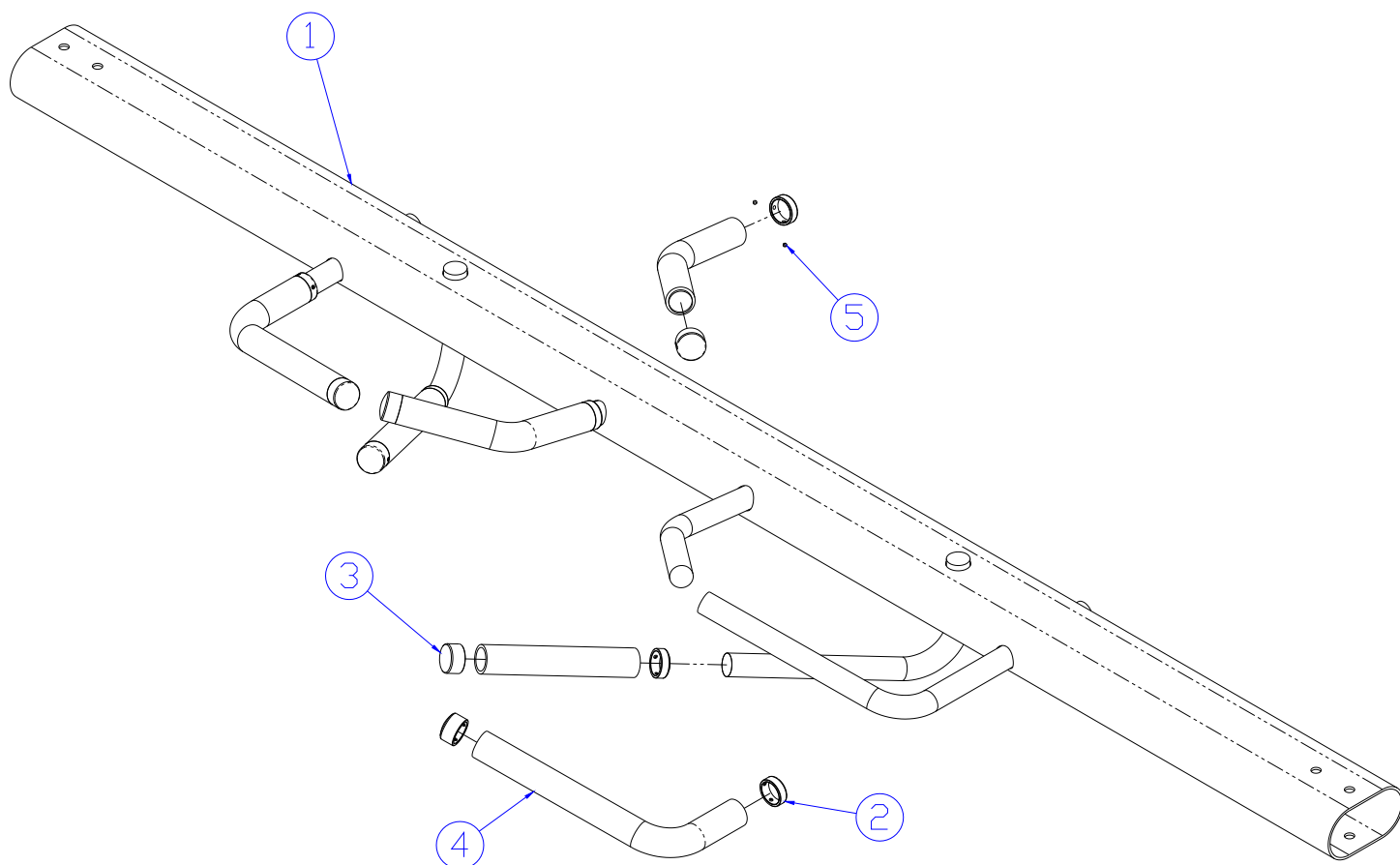


SEE PAGE 5 FOR LEGEND

MJFCO FIXED CROSSOVER COMPONENT ASSEMBLY LEGEND

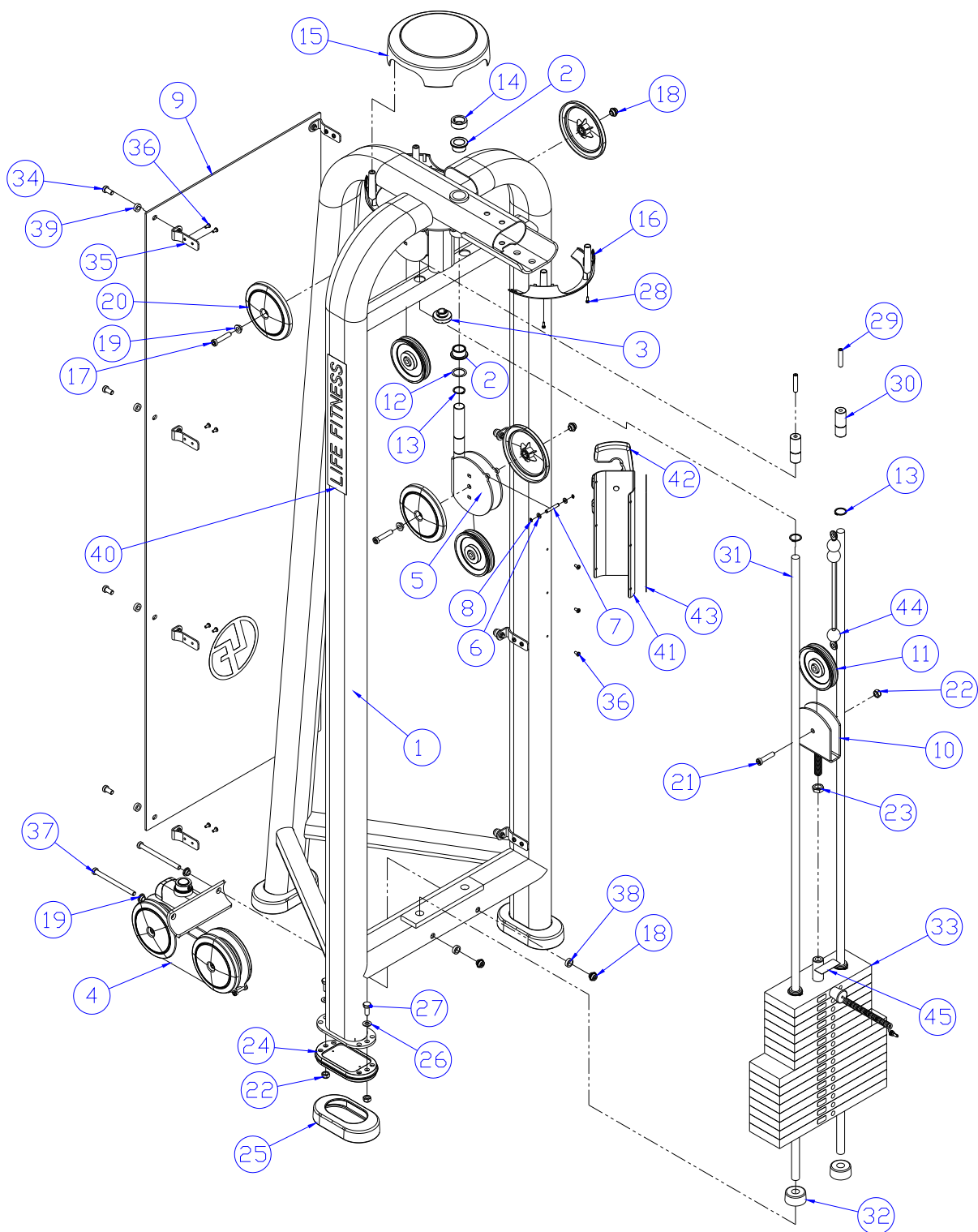
ITEM NO	QTY	PART NO	DESCRIPTION
1	1	MJCORE-ASSY	ASSY, COMPONENTS MJCORE
2	1	7647501	ASSY, 190LB STACK
3	2	7352101	CUSHION, WEIGHT STACK
4	2	7328618	GUIDE ROD, .75 OD SOLID 71.63
5	2	3232421	RING, BRE .940, 5100-100 ST PP B
6	2	7634401	RETAINER, CM/MJ, GUIDEROD
7	2	3240502	M10 X 1.5 X 50 HXS NO CUP ST BO
8	1	7640701	ASSY, MJFXO BOOM
9	5	3236201	SCREW, M10 X1.5 20MM
10	5	3236601	WASHER, 3/8 SAE SS
11	6	3236801	NUT, M10 HEX NYLOCK SS
12	2	3237403	PLUG, 1" HOLE
13	1	7642301	BUMPER, CM/MJ, PLUG
14	1	7636101	ASSY, MJ X-OVER BOTTOM
15	2	3236220	SCREW, M10 X 1.5 130MM
16	10	7630101	RETAINER, CM/MJ, PULLEY
17	2	7634701	SPACER, CM/MJ, .565 X .815
18	10	7335401	NUT, M10 X 1.5 SOCKET HEAD
19	1	7732201	CABLE, CM/MJFXO
20	1	7640601	ASSY, MJ X-BEAM
21	2	7633201	BRKT, MJ LRG OVAL
22	8	3236213	SCREW, M10 X 1.5 80MM
23	1	7641401	ASSY, CM/MJFCO TOWER
24	6	3239101	SCREW, M5X10 PHL PAN TT ST
25	1	7647001	PLACARD BRACKET
26	2	7711501	WEIGHT, 5 LB. ADD-ON
27	2	3250201	SNAP LINK, 3/8" DIA
28	2	7647801	HANDLE, CM/MJ, SHORT STRAP
29	2	7734701	STRAP, 4-WAY ANKLE
30	1	7640401	COVER, BOTTOM CAP
31	1	7642201	WLDMNT, CM/MJ STK PULLEY
32	1	3236902	NUT, M16 X 2 HEX JAM SS
33	1	3236206	SCREW, M10 X1.5 45MM
34	1	3237801	PULLEY, 4.5" OD
35	1	7733901	LABEL, PLACARD CM/MJ CROSSOVER
36	1	7744501	LABEL, WEIGHT AT HANDLE

MJFCO FIXED CROSSOVER MJ X-BEAM ASSEMBLY - 7640601



ITEM NO	QTY	PART NO	DESCRIPTION
1	1	7632701	WLDMT, MJ X-BEAM
2	6	7662801	RING, GRIP 1.25 OD
3	6	7662901	CAP, GRIP 1.25 OD
4	6	3235801	GRIP, SHADOW GREY OPEN END
5	24	3247701	M4 X .7 HXS NO CUP ST BO

MJFCO FIXED CROSSOVER CM/MJACO TOWER ASSEMBLY - 7641401

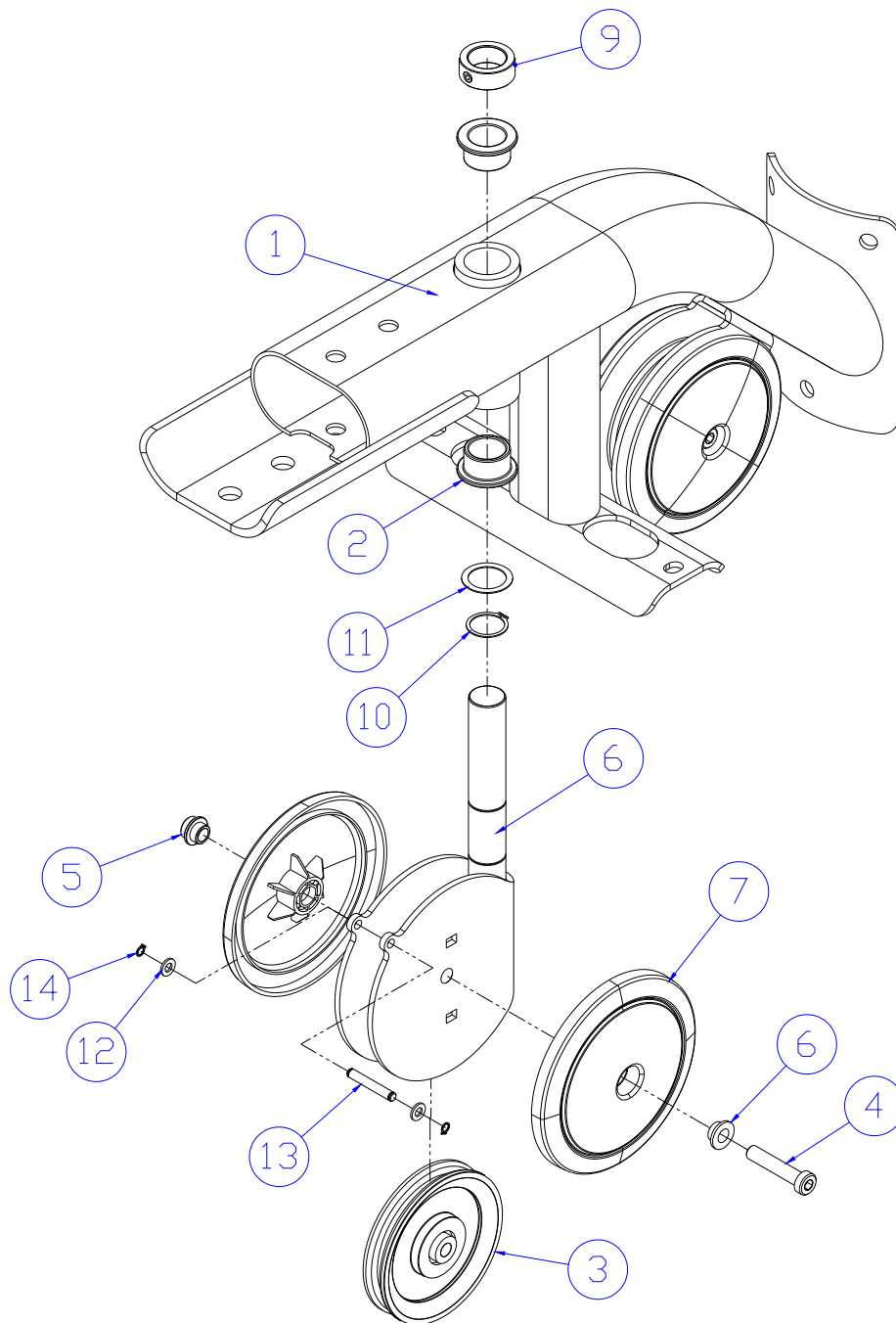


SEE PAGE 8 FOR LEGEND

MJFCO FIXED CROSSOVER CM/MJACO TOWER ASSEMBLY LEGEND

ITEM NO	QTY	PART NO	DESCRIPTION
1	1	7639001	WLDMNT, MJFCO TOWER
2	2	3104903	1.00" ID 1.25" OD BRONZ BUSHING
3	1	7642301	BUMPER, CM/MJ, PLUG
4	1	7636101	ASSY, MJ X-OVER BOTTOM
5	1	7638101	WLDMT, MJ, X-OVER PULLEY
6	2	3241801	WASHER, FLAT 6MM SS
7	1	7641301	SHAFT, CM/MJ, BALL STOP
8	2	3232401	RING, RETAINING, EXTERNAL
9	1	7642101	SHIELD, CM/MJ REAR
10	1	7642201	WLDMNT, CM/MJ STK PULLEY
11	3	3237801	PULLEY, 4.5" OD
12	1	3225005	WASHER, 1.031-1.375-031 SPEC ST ZN
13	3	3232421	RING, BRE .940, 5100-100 ST PP B
14	1	7435301	COLLAR, SHAFT 1.020 ID
15	1	7629201	COVER, CENTER TOP
16	2	7629801	COVER, CENTER BOTTOM
17	2	3236207	SCREW, M10 X1.5 50MM
18	4	7335401	NUT, M10 X 1.5 SOCKET HEAD
19	4	7630101	RETAINER, CM/MJ, PULLEY
20	4	7629901	COVER, PULLEY- BOLTED FULL
21	1	3236206	SCREW, M10 X1.5 45MM
22	7	3236801	NUT, M10 HEX NYLOCK SS
23	1	3236902	NUT, M16 X 2 HEX JAM SS
24	3	7334001	FOOT, 2.50 X 4.49 FLOV
25	3	7340201	COVER, FOOT - STRAIGHT
26	6	3236601	WASHER, 3/8 SAE SS
27	6	3251202	SCREW, M10 X1.5 X 25MM UNS HEX CS ST ZN
28	4	3236501	M4 X 0.7 PHL PAN MS ST ZN
29	2	3240502	M10 X 1.5 X 50 HXS NO CUP ST BO
30	2	7634401	RETAINER, CM/MJ, GUIDEROD
31	2	7328618	GUIDE ROD, .75 OD SOLID 71.50
32	2	7352101	CUSHION, WEIGHT STACK
33	1	7647501	ASSY, 190LB STACK
34	8	3236201	SCREW, M10 X1.5 20MM
35	8	7642001	BRKT, CM/MJ, REAR SHROUD
36	22	3239101	SCREW, M5X10 PHL PAN TT ST
37	2	3236220	SCREW, M10 X1.5 130MM
38	2	7634701	SPACER, CM/MJ, .565 X .815
39	8	7385201	SPACER, .406 X .750 X .250
40	2	7348001	LABEL, LIFE FITNESS LOGO
41	1	7647001	WLDMT, CM/MJ, PLACARD BRKT
42	1	7711501	WEIGHT, 5 LB. ADD-ON
43	1	7733901	LABEL, PLACARD CM/MJ CROSSOVER
44	1	7732202	CABLE, CM/MJFCO
45	1	7744501	LABEL, WEIGHT AT HANDLE

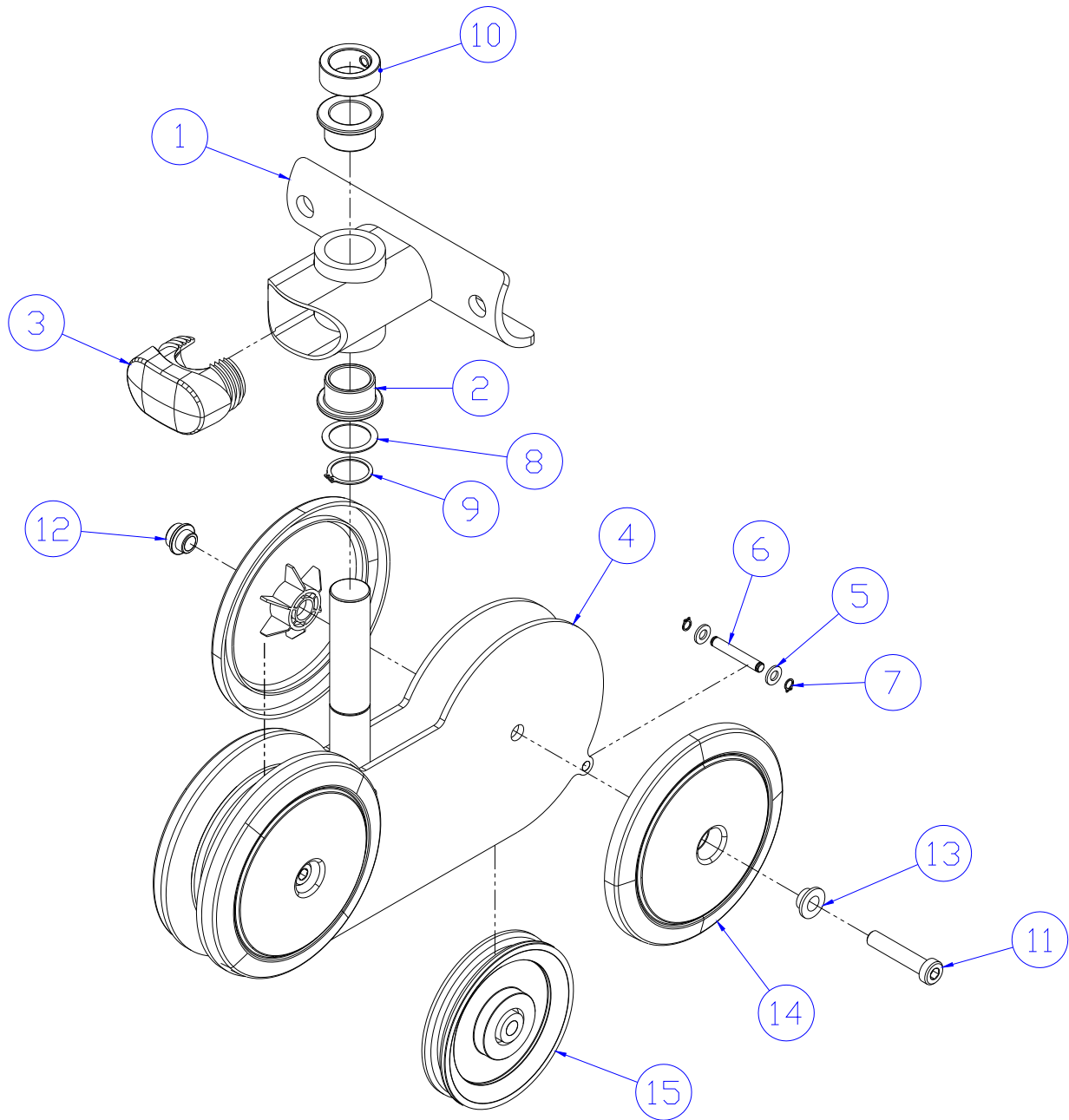
MJFCO FIXED CROSSOVER MJFXO BOOM ASSEMBLY - 7640701



ITEM NO	QTY	PART NO	DESCRIPTION
1	1	7636201	WLDMNT, MJFCO/FXO BOOM
2	2	3104903	1.00" ID 1.25" OD BRONZ BUSHING
3	2	3237801	PULLEY, 4.5" OD
4	2	3236207	SCREW, M10 X1.5 50MM
5	2	7335401	NUT, M10 X 1.5 SOCKET HEAD
6	2	7630101	RETAINER, CM/MJ, PULLEY
7	4	7629901	COVER, PULLEY- BOLTED FULL

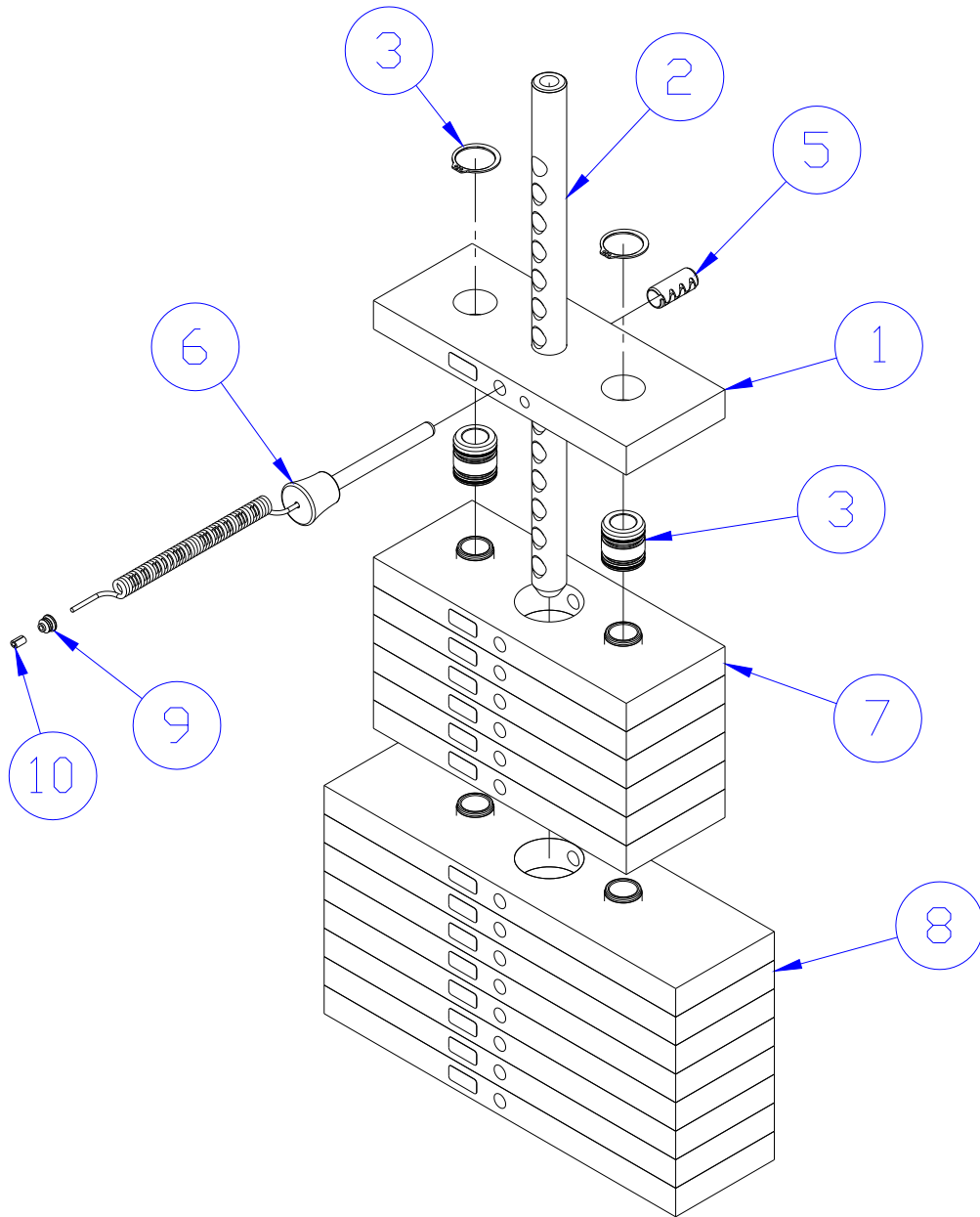
ITEM NO	QTY	PART NO	DESCRIPTION
8	1	7638101	WLDMT, MJ, X-OVER PULLEY
9	1	7435301	COLLAR, SHAFT 1.020 ID
10	1	3232421	RING, BRE .940, 5100-100 ST PP B
11	1	3225005	WASHER, 1.031-1.375-031 SPEC ST ZN
12	2	3241801	WASHER, FLAT 6MM SS
13	1	7641301	SHAFT, CM/MJ, BALL STOP
14	2	3232401	RING, RETAINING, EXTERNAL

MJFCO FIXED CROSSOVER MJ X-OVER BOTTOM ASSEMBLY - 7636101



ITEM NO	QTY	PART NO	DESCRIPTION
1	1	7635901	WLDMNT, MJFCO/FXO PULLEY SPRT
2	2	3104903	1.00" ID 1.25" OD BRONZ BUSHING
3	1	7333801	CAP, SMALL FLOV- END
4	1	7635601	WLDMNT, MJFCO/FXO BOTTOM PULLEY
5	2	3241801	WASHER, FLAT 6MM SS
6	1	7641301	SHAFT, CM/MJ, BALL STOP
7	2	3232401	RING, RETAINING, EXTERNAL
8	1	3225005	WASHER, 1.031-1.375-031 SPEC ST ZN
9	1	3232421	RING, BRE .940, 5100-100 ST PP B
10	1	7435301	COLLAR, SHAFT 1.020 ID
11	2	3236207	SCREW, M10 X1.5 50MM
12	2	7335401	NUT, M10 X 1.5 SOCKET HEAD
13	2	7630101	RETAINER, CM/MJ, PULLEY
14	4	7629901	COVER, PULLEY- BOLTED FULL
15	2	3237801	PULLEY, 4.5" OD

MJFCO FIXED CROSSOVER 190LB. WEIGHT STACK ASSEMBLY - 7647501

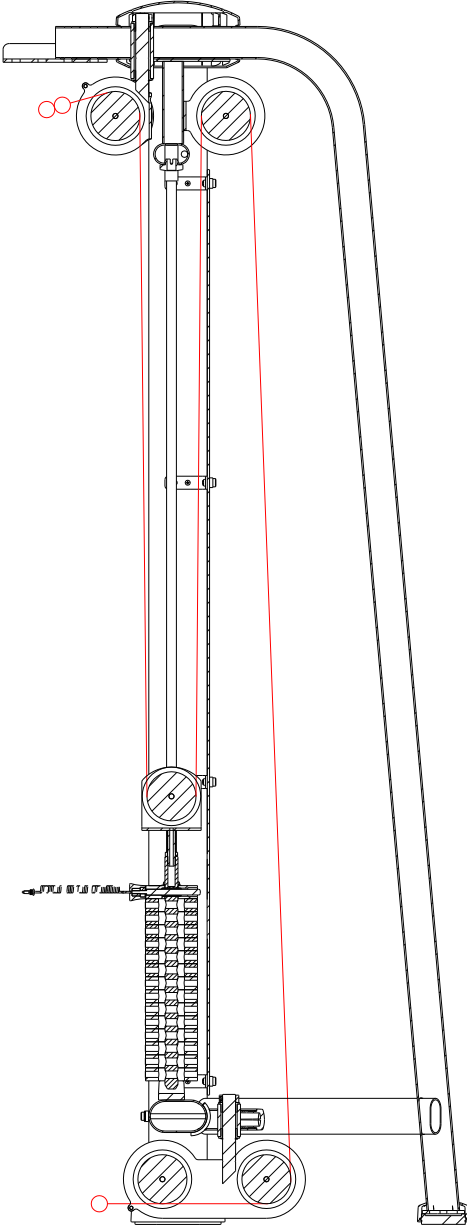


ITEM NO	QTY	PART NO	DESCRIPTION
1	1	7353901	HEADPLATE, WT. STACK
2	1	7352601	BAYONET, 14 PLATE
3	2	7338001	BUSHING & CLIP, HEADPLATE
5	1	3236001	BUSHING, SPRING PIN
6	1	7353001	ASSY, SELECTOR PIN
7	6	7353701	ASSY, 10 LB PLATE
8	8	7353801	ASSY, 15 LB PLATE
9	1	7356501	PLUG, LANYARD ATTACHMENT
10	1	7523601	CRIMP, CABLE

MJFCO FIXED CROSSOVER

MJFCO CABLE ROUTING GUIDE (cross-section)

MJFCO CORE



MJ CORE

